

**READ THESE INSTRUCTIONS COMPLETELY BEFORE STARTING WORK.  
IF YOU DON'T UNDERSTAND CALL 724-588-8600 FOR ASSISTANCE.**

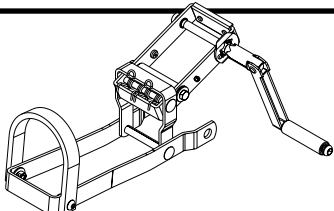
# PROCEDURE FOR REPLACING UPPER SHACKLE ASSEMBLY

**THIS KIT IS TO BE USED ONLY ON WERNER CO.  
PUMP JACKS**



**WARNING:**

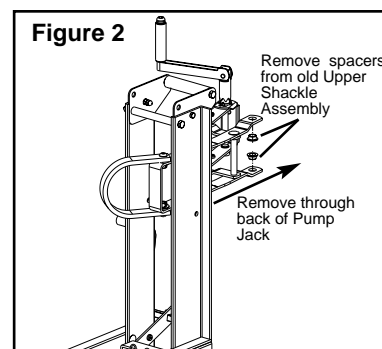
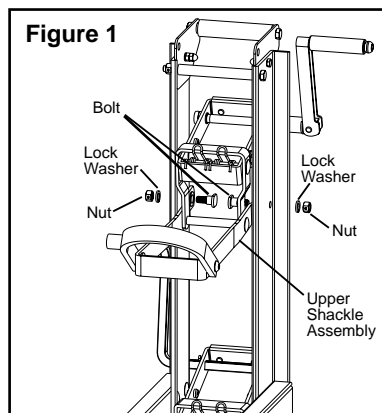
1. Failure to comply with all instructions may result in serious injury.
2. Make sure this kit fits your pump jack. Refer to the application chart on the outside of the kit's packaging. If you have any questions concerning the use of this kit on other Werner Co. products, call 724-588-8600 for assistance.
3. Before installing this kit, identify all kit components. If any components are missing or damaged, return the kit to place of purchase. Do not substitute any components.
4. Inspect the pump jack before installing this kit. Repair or replace any damaged or missing parts before using the pump jack. Use only Werner Co. repair or replacement parts. If unable to repair, discard the pump jack.

COMPONENTS IN KIT	TOOLS REQUIRED
(1) Upper Shackle Assembly 	(1) 9/16 Wrench (1) 11/16 Wrench

## INSTRUCTIONS:

### Removing Upper Shackle Assembly:

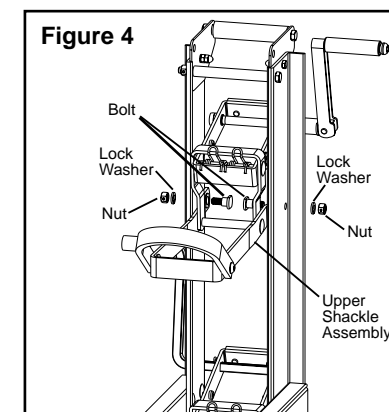
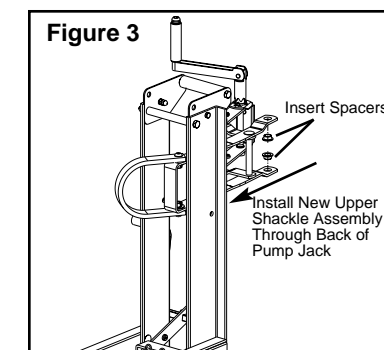
- STEP 1.** Using 9/16" wrench on nut and 11/16" wrench on bolt, remove bolt, lock washer and nut from each side of shackle assembly as shown in Figure 1.
- STEP 2.** Remove shackle assembly from pump jack by pulling the assembly through the back of pump jack assembly as shown in Figure 2.
- STEP 3.** Remove spacers from old upper shackle assembly as shown in Figure 2.
- STEP 4.** Do not discard bolts, lock washers, nuts or spacers from old upper shackle assembly. They will be used to install new upper shackle assembly.



## INSTRUCTIONS:

### Installing New Upper Shackle Assembly:

- STEP 1.** Insert spacers in holes of upper shackle assembly as shown in Figure 3.
- STEP 2.** Install upper shackle assembly through back of pump jack assembly as shown in Figure 3.
- STEP 3.** Insert bolt through each side of upper shackle assembly and pump jack assembly rail as shown in Figure 4 and attach with nut.
- STEP 4.** Tighten nut on each side in order to hold assembly firm to pump jack assembly rails.



**CAUTION: IF ANY PARTS ARE DAMAGED OR MISSING, CONTACT PLACE OF PURCHASE FOR REPLACEMENT KITS, IF AVAILABLE, OR DISCARD UNIT.**



WERNER CO., 93 WERNER ROAD, GREENVILLE, PA 16125-9499  
PHONE (724) 588-8600  
www.wernerladder.com