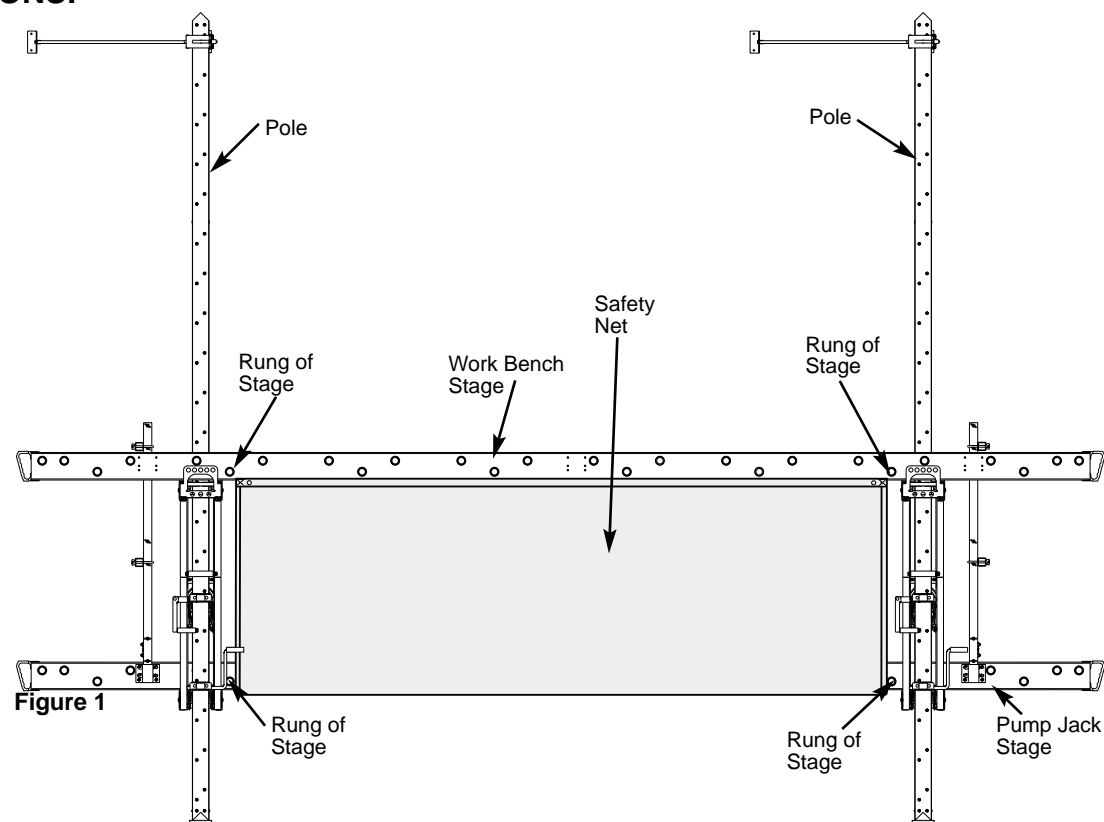


**READ THESE INSTRUCTIONS COMPLETELY BEFORE STARTING WORK.  
IF YOU DON'T UNDERSTAND CALL 724-588-8600 FOR ASSISTANCE.**

## PROCEDURE FOR ATTACHING PUMP JACK SAFETY NET

**THIS KIT IS TO BE USED ONLY ON WERNER CO. AND  
COMPATIBLE PUMP JACK SYSTEMS. CALL WERNER CO  
AT 724-588-8600 WITH ANY QUESTIONS REGARDING  
COMPATIBILITY WITH OTHER SYSTEMS**

### INSTRUCTIONS:



### Attaching Safety Net:

- STEP 1.** Open Safety Net and align straps with rungs of stage between pump jack poles. See Figure 1.
- STEP 2.** Attach strap on top corner of safety net to rung on underside of work bench stage by wrapping safety net strap around work bench stage rung as shown in Figure 2.

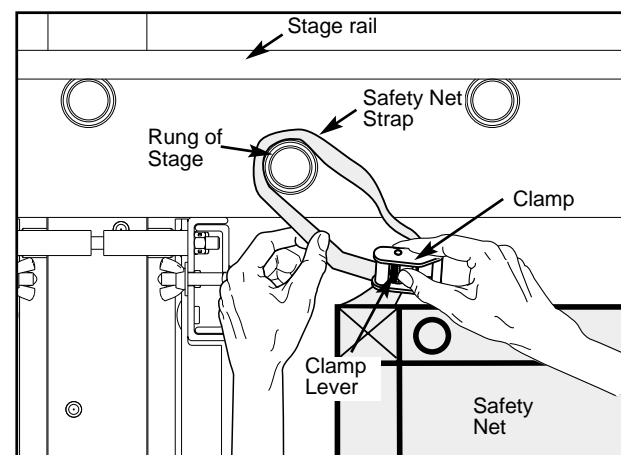


Figure 2

### Attaching Safety Net:

- STEP 3.** Using thumb to depress lever on clamp of safety net strap, slide strap through clamp and release thumb to allow clamp to engage on strap as shown in Figure 3.
- STEP 4.** Pull strap tight until top of safety net is tight against bottom edge of work bench stage rail. See Figure 4.
- STEP 5.** Repeat steps 2 through 4 by attaching opposite top corner of safety net.
- STEP 6.** Continue attaching top straps of safety net until all straps have been attached to stage rung closest to strap and top of safety net is tight against bottom surface of work bench stage rail.
- STEP 7.** Repeat steps 2 through 4 by attaching bottom straps of safety net around rungs under pump jack stage and pull straps tight as shown in figure 5.

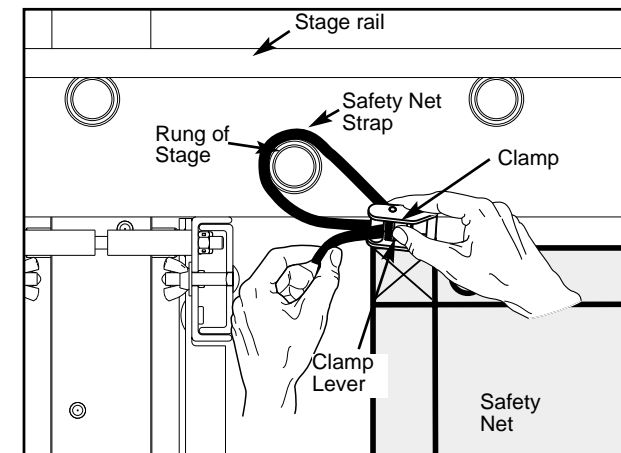


Figure 3

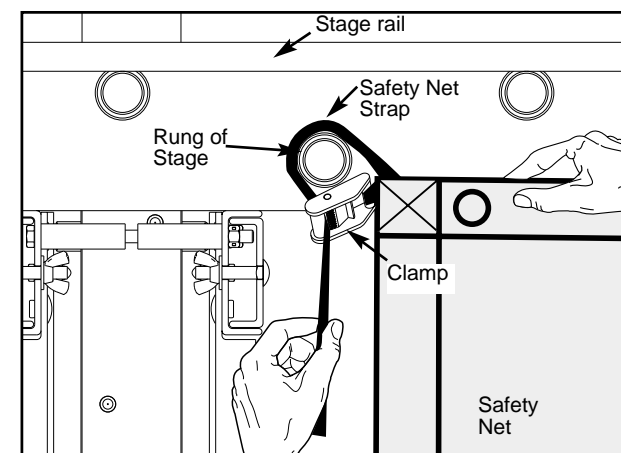


Figure 4

**WARNING: SAFETY NET IS DESIGNED FOR DEBRIS CONTROL AND VERTICAL FALL PROTECTION. STANDING OR SITTING ON SAFETY NET COULD RESULT IN SERIOUS INJURY.**

### Removing Safety Net:

- STEP 1.** Starting with a corner safety net strap, use thumb to depress lever on clamp of safety net strap and pull strap through clamp until entire strap is released from clamp.
- STEP 2.** Repeat step 1 for all remaining safety net straps.

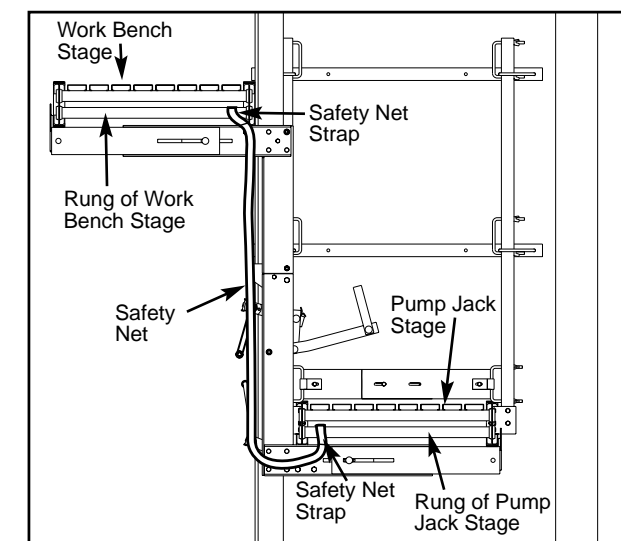


Figure 5



WERNER CO., 93 WERNER ROAD, GREENVILLE, PA 16125-9499  
PHONE (724) 588-8600 www.wernerladder.com